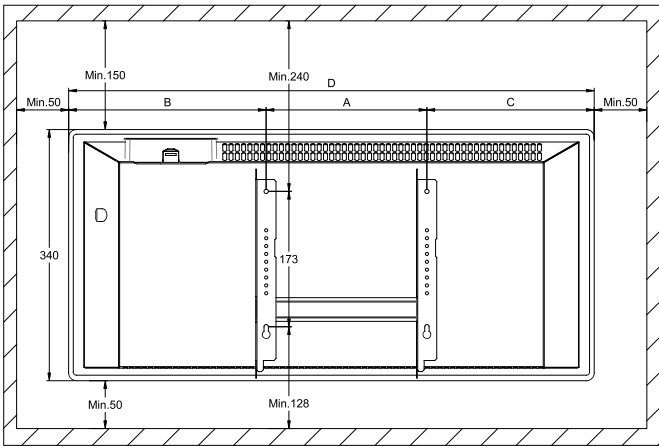
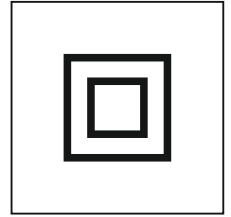
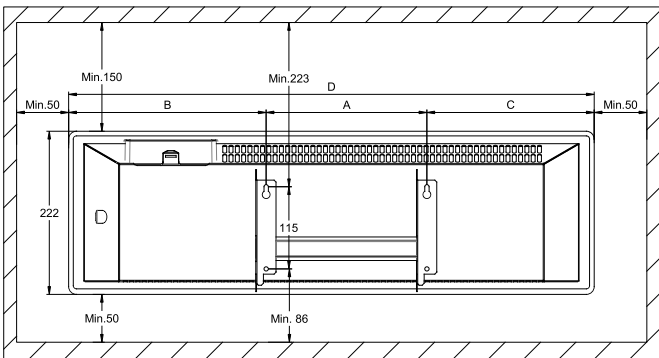


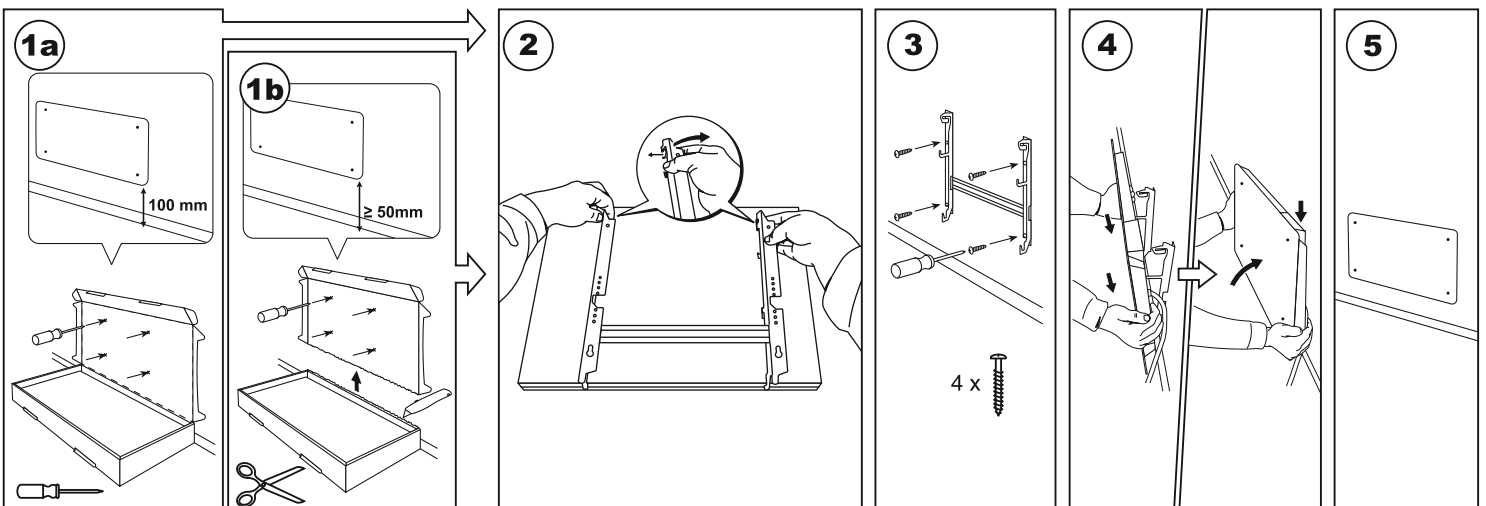
IP24C

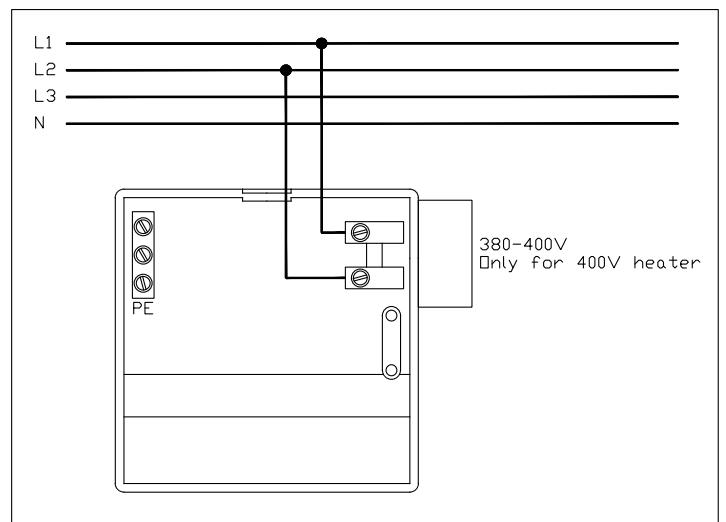
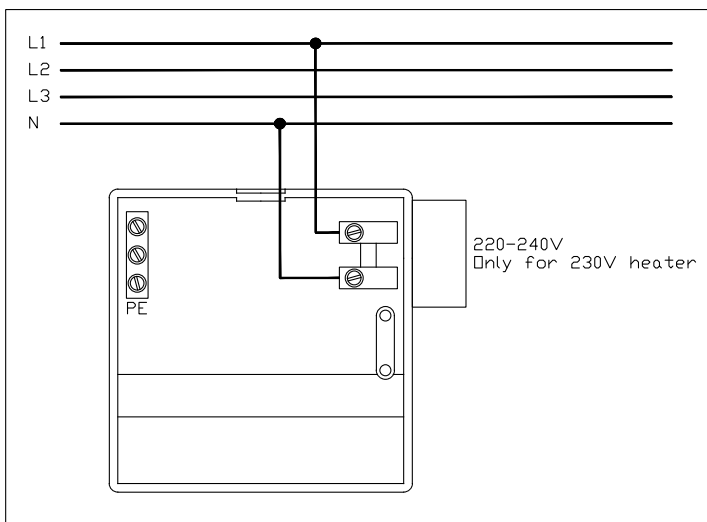
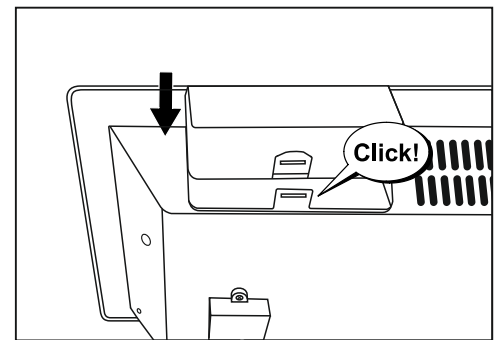
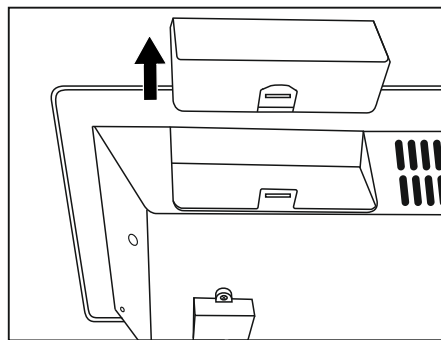
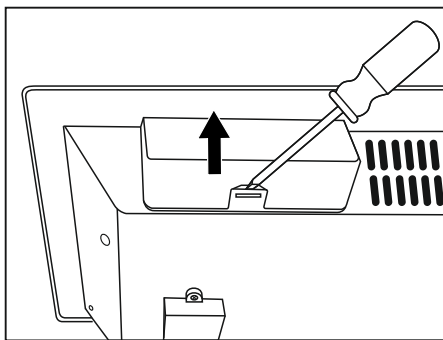
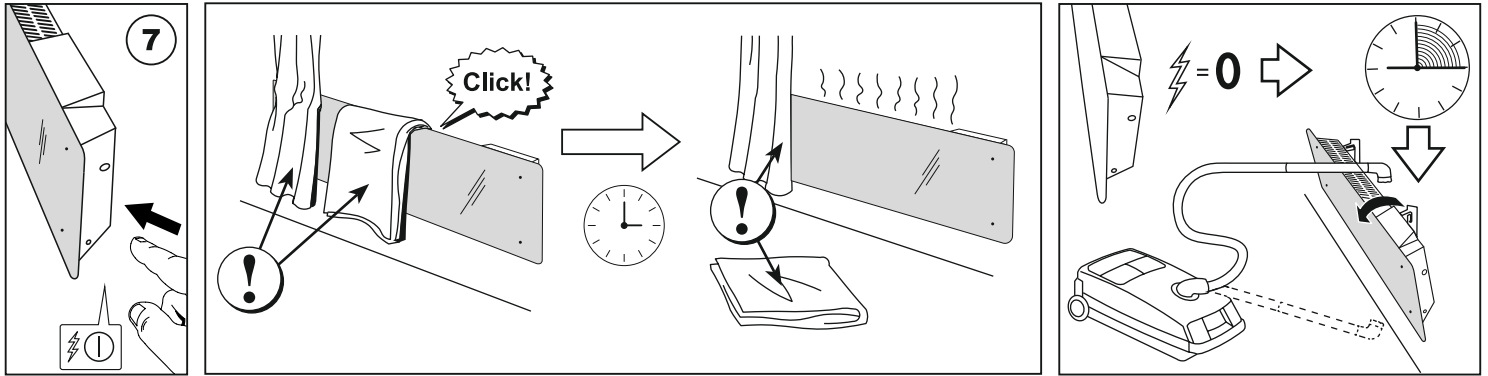
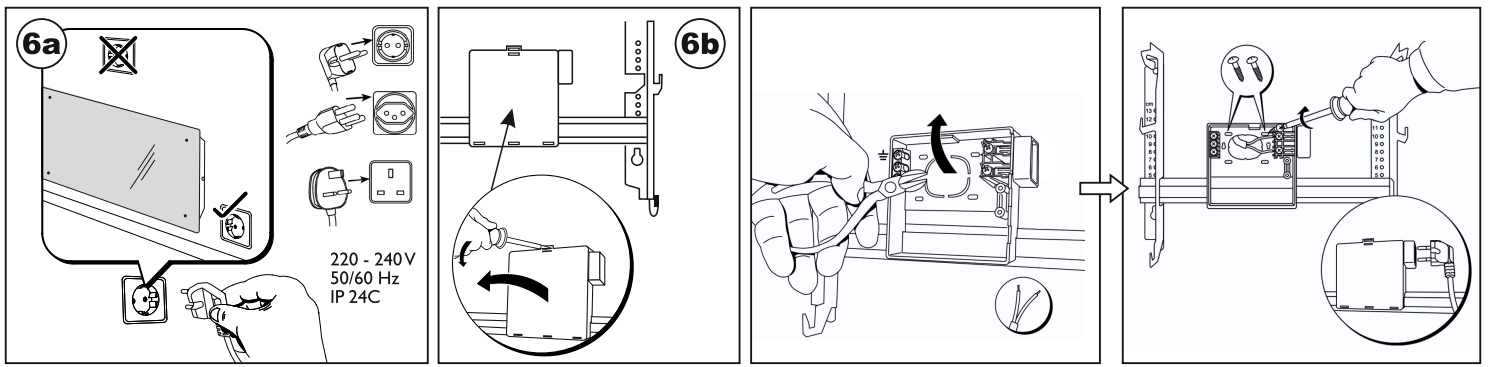


CLEA H	Watt	B	A	C	D
CLEA H 06	600	265	201	210	676
CLEA H 08	800	255	302	233	790
CLEA H 10	1000	285	302	263	850



CLEA L	Watt	B	A	C	D
CLEA L 06	600	333	302	332	964
CLEA L 08	800	270	604	270	1144





If the supply cord is damaged, it must be replaced by the manufacturer, its service agent or similarly qualified persons in order to avoid hazard.